

AG SERIES / MODEL AGC-56

Standard Coverage / Decorative Sprinkler
Quick Response UL / Standard Response FM
Concealed



PRODUCT DESCRIPTION

AG Fire Sprinkler Model AGC-56 are the most versatile quick response concealed sprinklers available. It provides the best form of fire protection while offering an attractive appearance and 3/4" (19mm) of cover adjustment for ease of installation. The small diameter cover plate assembly is easily attached and blends into the ceiling, concealing the most dependable fire protection available, an automatic sprinkler system.

These sprinklers are designed for use where aesthetic appearance is important.

TECHNICAL DATA

Nominal "K" Factor	5,6 (80)
Thread Size	1/2" NPT (R1/2)
Nominal Orifice	1/2" (15 mm)
Total Adjustment	3/4" (19 mm)
Temperatures	165°F (74°C) 212°F (100°C)
Maximum Working Pressure	175 psi (12,1 bar)
Reference	AG3415
Finish ⁽¹⁾	Chrome or Polyester Coated

(1) Other Finishes available under request.

OPERATION

This sprinkler uses a proven quick response fusible element in a standard style sprinkler frame with a drop-down deflector. This assembly is recessed into the ceiling and concealed by a flat cover plate assembly.

When the ceiling temperature rises, the solder holding the flat cover plate melts, the flat cover plate released thus exposing the sprinkler inside to the rising ambient temperature.

INSTALLATION

Model AGC-56 sprinklers are standard response sprinklers intended for installation as specified in NFPA13. They must also be installed with the Model **FC** Sprinkler Wrench specifically designed by AG Fire Sprinkler for use with these sprinklers.

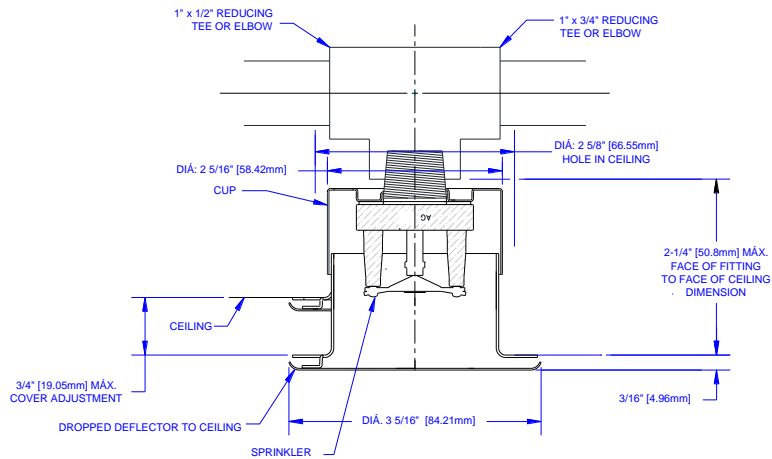
Install the cover plate by hand turning the cover in the clockwise direction until it is tight against the ceiling.

Cut a 2 5/8" inch (67mm) diameter hole is cut in the ceiling.

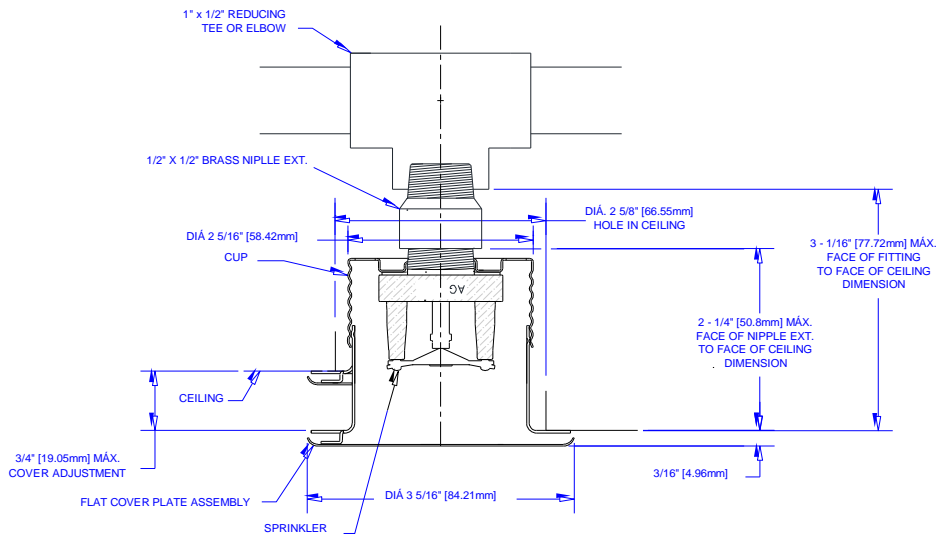
TEMPERATURE RATINGS

Classification	Sprinkler Temperature		Cover Tape Temperature		Maximum Ambient Temperature	
	°F	°C	°F	°C	°F	°C
Normal	165	74	135	57	100	38
Intermediate	212	100	165	74	150	66

DIMENSIONS



COVER PLATE, 3/4" (19 mm) ADJUSTMENT



COVER PLATE, 3/4" (19 mm) ADJUSTMENT

ORDERING INFORMATION

Specify:

Sprinkler Model	
Type	
Thread Size	
Type of deflector	
Temperature	
Sprinkler Finish	
Cover tape finish	

The equipment presented in this bulletin is to be installed in accordance with the latest published Standard of the National Fire Protection Association, Factory Mutual Research Corporation, or other similar organizations and also with the provisions of governmental codes or ordinances whenever applicable. This documentation is not contractual. AG Fire Sprinkler reserves the right to any kind of change without notice.