

## WATER MOTOR AND GONG Model WM



### PRODUCT DESCRIPTION

AG's Model WM Water Motor Alarms are hydraulically operated indoor and outdoor alarms for use with fire protection systems. They are light yet durable, and can be used in conjunction with alarm check, dry pipe, deluge, and preaction valves to sound a local alarm. This water-powered system eliminates the need for an electrical alarm and will operate even if electrical power is lost.

### TECHNICAL DATA

<b>Model</b>	WM
<b>Material</b>	Body: Cast aluminum
<b>Working water pressure range</b>	7 to 300 psi (0,5 to 20,7 bar)
<b>Finish</b>	Fire Red RAL 3000

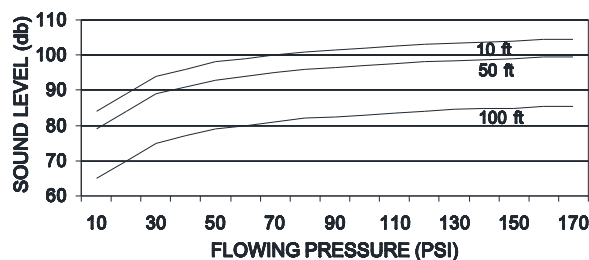
### OPERATION

AG's Model WM Water Motor Alarm features a one-gong system which sounds an alarm outside or inside the building.

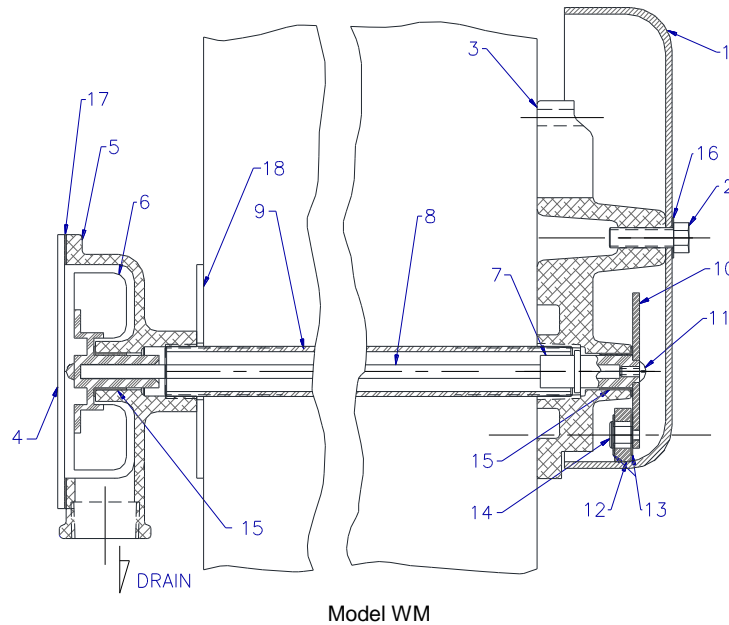
The water Motor Alarms is suitable for mounting to any type of rigid wall and can accommodate a wall thickness up to 16" (406.4 mm). They are provided with a listed and approved strainer for use in the alarm line. The Gong, Gong Mount, and Water Motor Housing are fabricated from corrosion-resistant cast aluminum. The polymer drive bearings do not require lubrication.

The WM utilizes a lightweight impeller design which can produce a very high decibel sound level. As water passes through the water motor, the impeller turns and the shaft rotate. The rotating shaft drives a striker assembly which rings the gong, sounding a continuous alarm as long as the water flow continues.

### TYPICAL DECIBEL SOUND LEVELS



## CROSS SECTIONS



ITEM	DESCRIPTION	MATERIAL	PART. Nº
1	Gong shell	Aluminum	325506
2	Hex Head Cap Screw	Zinc	325521
3	Gong Mounting Bracket	Aluminum	325504
4	Motor Cover	Aluminum	325509
5	Impeller Housing	Aluminum	325502
6	Impeller	Delrin	325507
7	Striker Shaft	Delrin	325508
8	Drive Shaft	Brass	325515
9	Threaded Pipe	Galvanized Pipe	325517
10	Striker Arm	Mild Steel	325510
11	Cap Screw	Zinc Plated	325520
12	Knocker	Phenolic	325513
13	Knocker Retaining Washer	Stainless Steel	325516
14	Knocker Retaining Rivet	Stainless Steel	325514
15	Bearing-Thompson	Type 6 Nylon	325518
16	3/8 Helical Spring Lock Washer	Steel	3325522
17	Backing Plate Gasket	Velumoid	325511
18	Wall Plate	Mild Steel	325528

## ORDERING INFORMATION

Specify:

Model	VY325500000
Quantity	

The equipment presented in this bulletin is to be installed in accordance with the latest published Standard of the National Fire Protection Association, Factory Mutual Research Corporation, or other similar organizations and also with the provisions of governmental codes or ordinances whenever applicable. This documentation is not contractual. AG Fire Sprinkler reserves the right to any kind of change without notice.