

WET ALARM CHECK VALVES

Model H (H-1, H-2 & H-3 3", 4", 6" & 8")

Alarm check valves

175 psi (12 bar)



H-1 flange/flange



H-2 groove/groove



H-3 flange/groove

PRODUCT DESCRIPTION

The AG Sprinkler Model H-1, H-2 and H-3 Alarm Check Valves are used in wet pipe fire sprinkler systems. They primarily serve a dual purpose in that they prevent a reverse flow of water through their bodies (non-return) and also provide for the use of a hydraulic fire alarm which is not dependent upon an electrical power supply for its operation. Through the use of a hydraulic retard chamber a time delay is provided to eliminate potential false alarms caused by fluctuating water supply pressures. Where constant pressure water supplies are used the retard chamber (time delay) is not necessary. By incorporating the use of electrical pressure switches, other supplemental alarms, annunciators etc. may also be used.

TECHNICAL DATA

Models	H-1 Flange / flange H-2 Groove / groove H-3 Flange / groove
Dimensions	3" (80 mm), 4" (100 mm), 6" (150 mm) & 8" (200 mm)
Water working pressure rating	175 psi (12 bar)
Factory tested hydrostatically	350 psi (24 bar)
Materials	Body: high tensile strength iron: Iron ASTM A48 Interior operating parts: highly corrosive-resistant alloys Rubber parts: selective material which have good abrasive resistance and long life expectancy in terms of resiliency
Installation	3", 4" & 6" valves: vertical and horizontal installation 8" valves: vertical installation
Trim	For constant and variable water pressure supply

OPERATION

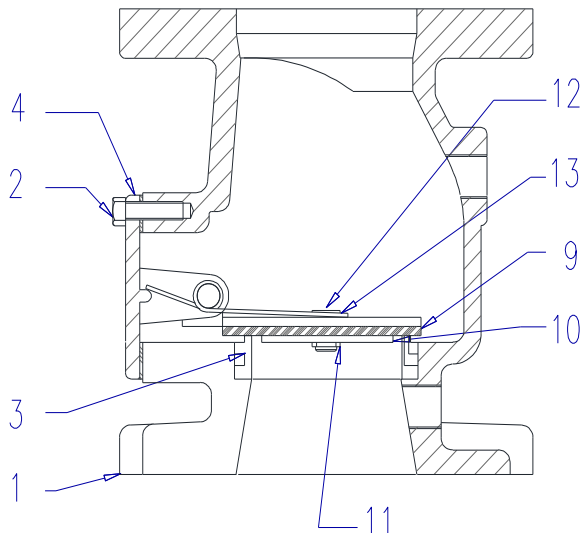
When there is an important water flow, for example from an opened sprinkler, the clapper of the alarm check valve opens and allow the water to enter in the system. Simultaneously, the water enters in the intermediate chamber, which allows the water to activate the motor gong or other water alarms installed. These alarms continue to sound until the water flow stops.

DIMENSIONS

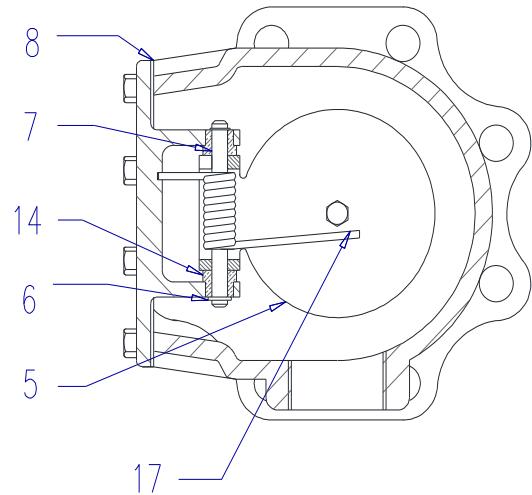
Physical data	MODEL / SIZE											
	H-1				H-2				H-3			
	3"	4"	6"	8"	3"	4"	6"	8"	3"	4"	6"	8"
Overall Length (inches)	9	9	10	14	10	10	12	15	9 1/4	9 1/2	11	13 5/8
Valve weight (Lbs)	34	42	69	147	20	22	46	106	28	37	59	130
Weight of Valve Complete with Vertical Variable Pressure Trimmings (Lbs.)	81	89	114	198	57	69	95	157	75	84	100	180

CROSS SECTIONS

3", 4" & 6" Alarm check valve assembly.



Left side view

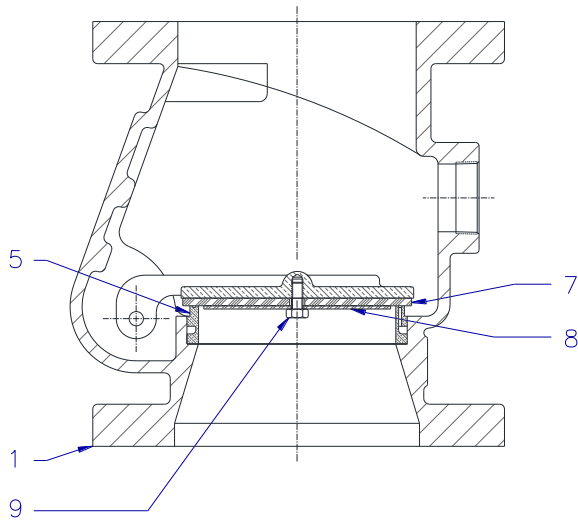


Top view

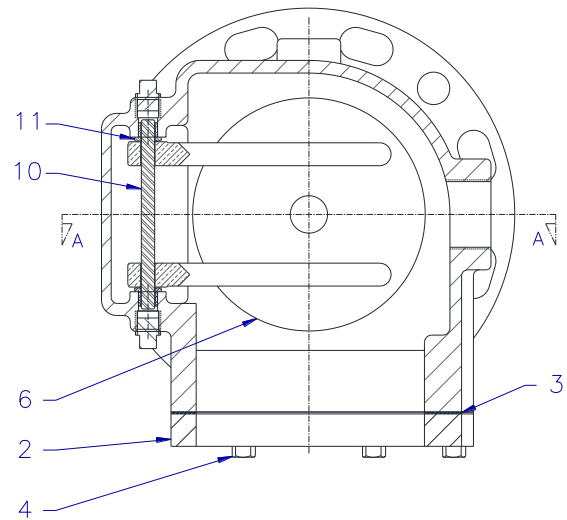
ITEM	DESCRIPTION	MATERIAL	PART. Nº 3"	PART. Nº 4"	PART. Nº 6"
1	Body H-1	Cast Iron ASTM A48	323803	323502	323562
	Body H-2	Cast Iron ASTM A48	323827	323552	323666
	Body H-3	Cast Iron ASTM A48	323807	323542	323592
2	Cover Bolt	Steel	323408	323509	323569
3	Seat Ring	Bronze	323809	323504	323564
4	Cover	Cast Iron ASTM A48	323805	323507	323567
5	Clapper	Stainless Steel	323814	323510	323570
6	Retaining Ring	Stainless Steel	323527	323517	323517
7	Hinge Pin	Stainless Steel	323818	323516	323516
8	Cover Gasket	Vellumioide	323810	323508	323568
9	Clapper Facing Disc	EPDM	323815	323511	323571

10	Disc Retainer	Stainless Steel	323816	323512	323572
11	Lock Nut	Stainless Steel	323514	323514	323514
12	Disc Retainer Bolt	Stainless Steel	323817	323513	323573
13	Sealing Washer	Hard Fiber	323515	323515	323515
14	Hinge Pin Bushing	Bronze	323819	323518	323518
15	Name Plate	Aluminum	323480	323480	323480
16	Drive Screw	Stainless Steel	323520	323520	323520
17	Torsion Spring	Stainless Steel	323528	323528	323565
18	Spring Bushing	Brass	-	-	323579

8" Alarm check valve assembly.



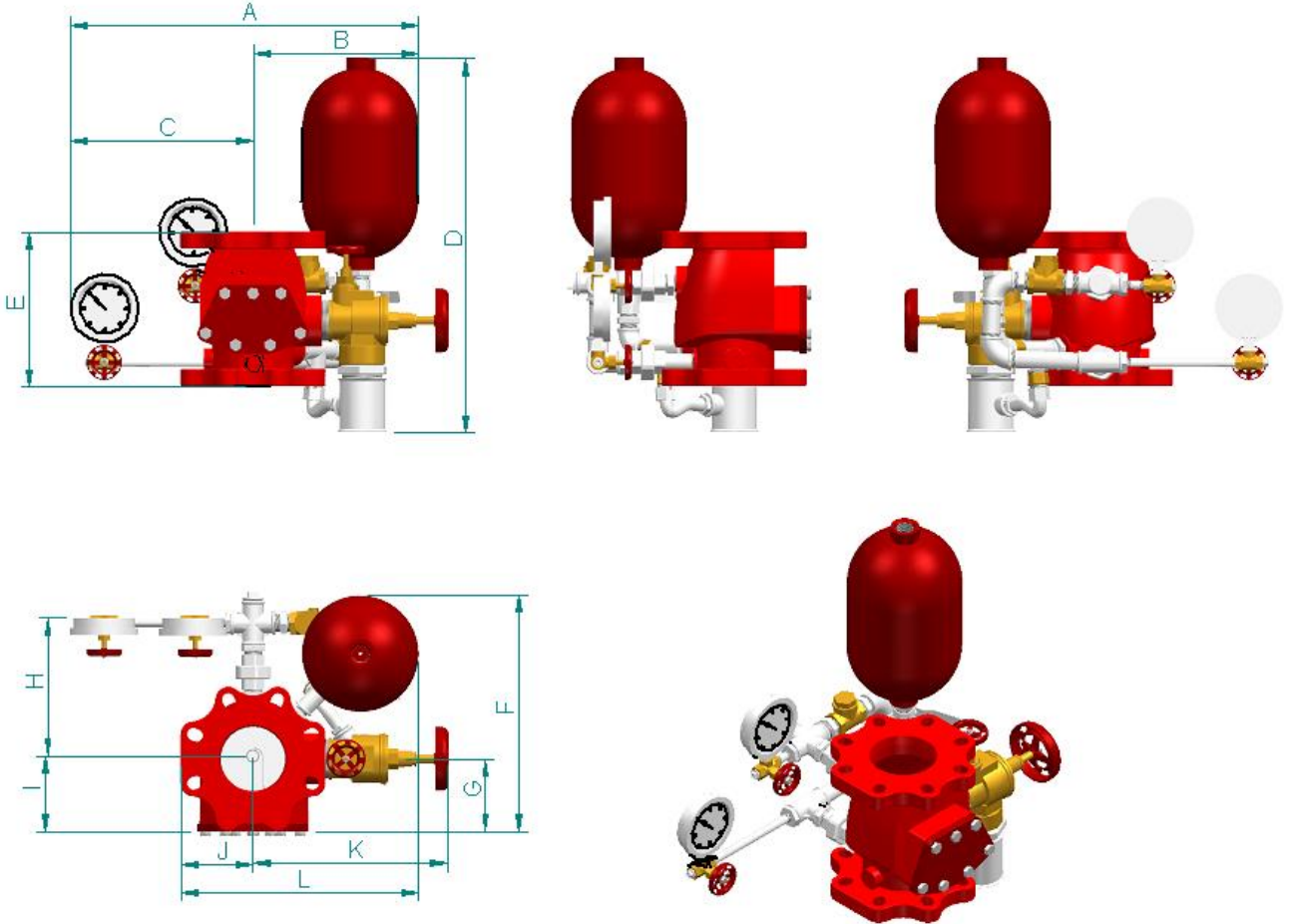
Top view



Lateral view

ITEM	DESCRIPTION	MATERIAL	PART. Nº 8"
1	Body H-1	Cast Iron ASTM A48	323832
	Body H-2	Cast Iron ASTM A48	323858
	Body H-3	Cast Iron ASTM A48	323851
2	Cover	Cast Iron ASTM A48	323835
3	Cover Gasket	Rubber	323833
4	Cover Bolt	Steel	323839
5	Seat Ring	Bronze	323837
6	Clapper	Bronze	323841
7	Clapper Disc	EPDM	323842
8	Disc Retainer	Stainless Steel	323843
9	Disc Retainer Bolt	Stainless Steel	323838
10	Hinge Pin	Stainless Steel	323845
11	Hinge Pin Bushing	Bronze	323846

ALARM CHECK VALVE WITH RETARD CHAMBER DIMENSIONS



VALVE SIZE	DIMENSIONS (mm)											
	A	B	C	D	E	F	G	H	I	J	K	L
3" – DN80	565	270	290	590	230	350	125	220	120	90	300	350
4" – DN100	535	245	290	610	230	385	125	275	120	100	300	345
6" – DN150	560	270	290	590	255	445	145	300	145	130	320	520
8" – DN200	560	270	290	520	355	535	200	355	200	165	355	470

ORDERING INFORMATION

ALARM VALVE ASSEMBLY

CONNECTION POS.	VALVE SIZE 3" DN80			VALVE SIZE 4" DN100		
	Flange / Flange (H1)	Groove / Groove (H2)	Flange / Groove (H3)	Flange / Flange (H1)	Groove / Groove (H2)	Flange / Groove (H3)
Vertical Variable	PH080BBVV0	PH080RRVV0	PH080BRVV0	PH100BBVV0	PH100RRVV0	PH100BRVV0
Vertical Constant	PH080BBVC0	PH080RRVC0	PH080BRVC0	PH100BBVC0	PH100RRVC0	PH100BRVC0
Horizontal Variable	PH080BBHV0	PH080RRHV0	PH080BRHV0	PH100BBHV0	PH100RRHV0	PH100BRHV0
Horizontal Constant	PH080BBHC0	PH080RRHC0	PH080BRHC0	PH100BBHC0	PH100RRHC0	PH100BRHC0

CONNECTION POSITION	VALVE SIZE 6" DN150			VALVE SIZE 8" DN200		
	Flange / Flange (H1)	Groove / Groove (H2)	Flange / Groove (H3)	Flange / Flange (H1)	Groove / Groove (H2)	Flange / Groove (H3)
Vertical Variable	PH150BBVV0	PH150RRVV0	PH150BRVV0	PH200BBVV0	PH200RRVV0	PH200BRVV0
Vertical Constant	PH150BBVC0	PH150RRVC0	PH150BRVC0	PH200BBVC0	PH200RRVC0	PH200BRVC0
Horizontal Variable	PH150BBHV0	PH150RRHV0	PH150BRHV0	PH200BBHV0	PH200RRHV0	PH200BRHV0
Horizontal Constant	PH150BBHC0	PH150RRHC0	PH150BRHC0	PH200BBHC0	PH200RRHC0	PH200BRHC0

CONNECTION POS.	VALVE SIZE 2 1/2" DN65		
	Flange / Flange (H1)	Groove / Groove (H2)	Flange / Groove (H3)
Vertical Variable	PH065BBVV0	PH065RRVV0	PH065BRVV0
Vertical Constant	PH065BBVC0	PH065RRVC0	PH065BRVC0
Horizontal Variable	PH065BBHV0	PH065RRHV0	PH065BRHV0
Horizontal Constant	PH065BBHC0	PH065RRHC0	PH065BRHC0

SEPARATED COMPONENTS

CONNECTION SIZE	ALARM VALVE 12bar (175psi)			DISMOUNTED TRIM	
	Flange / Flange (H1)	Groove / Groove (H2)	Flange / Groove (H3)	Vertical	Horizontal
2 1/2" DN65	VH065BB0E		VH065BR0E	TR065VT0	TR065HZ0
3" DN80	VH080BB0H1	VH080RR0H2	VH080BR0H3	TR080VT0	TR080HZ0
4" DN100	VH100BB0H1	VH100RR0H2	VH100BR0H3	TR100200VT0	TR100150HZ0
6" DN150	VH150BB0H1	VH168RR0H2	VH168BR0H3	TR100200VT0	TR100150HZ0
8" DN200	VH200BB0H1	VH200RR0H2	VH200BR0H3	TR100200VT0	

Specify:

Model	
Quantity	
Size	
Installation	
Loose trim	
Preassembled trim	
Fully assembled Factory trim	
Trim pressure	

AG FIRE SPRINKLER

AG Fire Sprinkler offers a wide selection of components. Then a list of products is presented by AG Fire Sprinkler, we can offer all these components, made with precision to protect people, anywhere, anytime.

- Sprinklers
 - Standard Coverage
 - Extended Coverage
 - Storage
 - Dry
 - Accessories
- System Valves
 - Wet
 - Dry
 - Preaction Equipment
 - Accessories
- Spray System Open Nozzles
 - High Velocity Nozzles
 - Medium Velocity Nozzles
 - Window Nozzles
 - Hydroshield Nozzles
 - Mushroom Type Nozzles
- Foam equipment
 - Tanks
 - Proportioners
 - Foam Discharge Equipment
 - Foam Concentrates
- Deluge equipment for Water Spray and Foam
 - Clapper Deluge Valves
 - Diaphragm Deluge Valves
- Monitors
 - Manual Monitors
 - Remote Monitors
 - Monitor Nozzles
 - Towers and Trolleys
- Valves
 - Butterfly Valves
 - Gate Valves
 - Check Valves
 - Pressure Control Valves
 - Test and Drain
 - Hose, Hydrant and Fire Connection Valves
 - Fire Department Connections

The equipment presented in this bulletin is to be installed in accordance with the latest published Standard of the National Fire Protection Association, Factory Mutual Research Corporation, or other similar organizations and also with the provisions of governmental codes or ordinances whenever applicable.
This documentation is not contractual. AG Fire Sprinkler reserves the right to any kind of change without notice.
