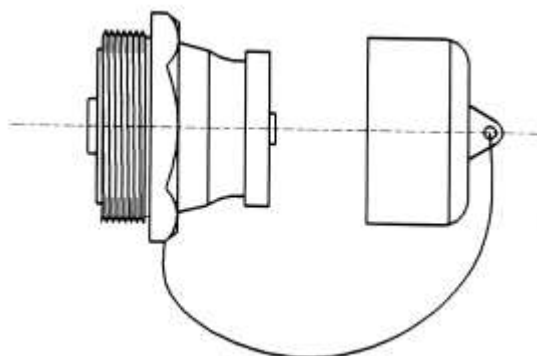


Booster Connector

[PRINT](#)

Sunday, 27 July 2008 11:47



DISCRIPTION

The FSD Fire Brigade Booster Connector is a high quality product manufactured entirely from intrinsically corrosion - resistant materials, and utilises 'O' - Ring technology to ensure durable leak-proof and trouble-free operation. Its internal valve design provides efficient water flow at all normal operating pressures and it's tapered thread overcomes the jointing problems that have always been associated with the installation of Fire Brigade Booster Connector.

APPLICATION

For use in the following applications, in accordance with the requirements of the Local Authority and / or Fire Codes.

- (a) Automatic Sprinkler Systems
- (b) Fire Hydrant Systems

FEATURES

1. Porosity - Free forged brass body and valve clack.
2. Stainless Steel valve shaft and spring.
3. Special Clack Sealing Ring.
4. Tapered thread ensuring "Water Tight" joint.
5. Secure "Snap-On" rubber protective cap.
6. Consistently accurate CNC machining throughout.
7. Easy replacement of 'O'-Ring valve seal without having to dismantle the valve clack/shaft assembly.

SPECIFICATION

- ▶ Materials : Brass and Stainless Steel
- ▶ Thread: 80mm nominal bore pipe thread (tapered 3" B.S.P. to BS 21.173)
- ▶ House Coupling : Male, instantaneous.
- ▶ Weight : 2kg
- ▶ Flow at 200 kpa ; 1200 l/min.
- ▶ Test Pressure : 2000 kpa

Last Updated (Tuesday, 29 July 2008 12:42)